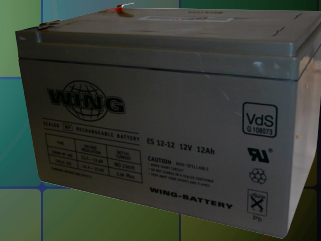




ES 12-12

12V - 12 Ah



Electrical specifications

| | | |
|-------------------------|--------------------|--------------------|
| Nominal Voltage | 12 V | |
| Capacity 25°C to 1,8V/c | 20 hour rate | 12,0 Ah |
| | 10 hour rate | 10,9 Ah |
| | 8 hour rate | 10,2 Ah |
| | 3 hour rate | 8,7 Ah |
| | 1 hour rate | 6,2 Ah |
| Self discharge @ 25°C | per month | 2,5 - 3 % |
| Internal Resistance | fully charged | approx 19 mΩ |
| Maximum current @ 25°C | charging | 3,6 A |
| | discharging (5sec) | 180 A |
| Charge Voltage @25°C | Float (-18mV/°C) | 2,27 - 2,29 V/Cell |
| Charge Voltage @25°C | Cyclic (-30mV/°C) | 2,41 - 2,48 V/Cell |

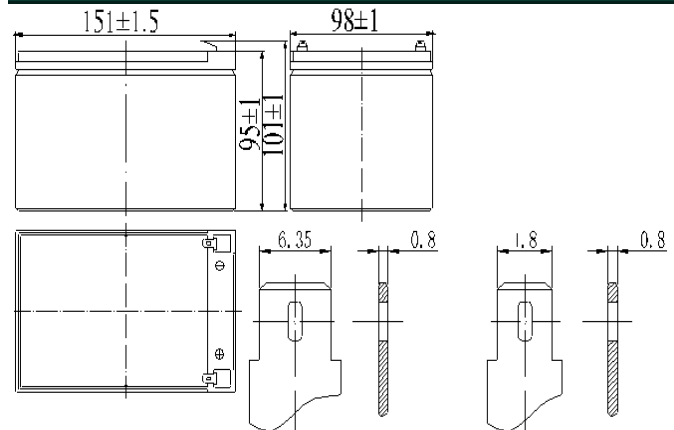
Other specifications

| | | |
|---------------------------------|--------------------------|--|
| Design Floating Life @ 20°C | 3-5 Years | |
| Dimensions LxWxH (± 1mm) | 151x98x95 mm | |
| Total height | 101 mm | |
| Operating Temperature (storage) | -20 to +50 °C | |
| Separator | Absorbent Glass Mat | |
| Grid alloy | Calcium / Tin lead alloy | |
| Case and cover | ABS / VDS | |
| Electrolyte | Sulphuric Acid | |
| Terminal / Length | .250 (F2) faston | |
| Optional terminal types | none | |
| Torque setting | none Nm | |
| Weight | 3,4 (±5%) kg | |

Innovative Features

- Completely maintenance free, sealed construction eliminates the need for adding water
- Fully tank formed plates
- Analytical grade electrolyte
- Spill proof / leak proof
- Valve regulated Max internal pressure 2,5 psi
- Multi-position usage
- ABS Case and cover (V0 optional)
- Low self discharge
- FAA and IATA approved as non-hazardous
- Built to comply with IEC 8962, DIN 43534, BS 6290 Pt4, Eurobat

Dimensions



Constant Amps Discharge - Amps at 25°C

| V/Cell | 5m | 10m | 15m | 20m | 25m | 30m | 35m | 40m | 45m | 50m | 55m | 60m | 90m | 2h | 3h | 4h | 5h | 6h | 7h | 8h | 9h | 10h | 12h | 20h |
|--------|------|------|------|------|------|------|------|------|------|------|------|------|------|------|------|------|------|------|------|------|------|------|------|------|
| 1,80 | 38,3 | 22,8 | 18,4 | 14,6 | 11,6 | 10,7 | 9,50 | 8,58 | 7,66 | 7,24 | 6,73 | 6,20 | 4,64 | 4,03 | 2,92 | 2,33 | 1,98 | 1,67 | 1,45 | 1,28 | 1,16 | 1,09 | 0,94 | 0,60 |
| 1,75 | 41,0 | 24,1 | 19,6 | 15,5 | 12,4 | 11,1 | 9,90 | 8,90 | 7,96 | 7,51 | 6,89 | 6,38 | 4,80 | 4,14 | 3,00 | 2,40 | 2,04 | 1,70 | 1,48 | 1,32 | 1,20 | 1,12 | 0,96 | 0,60 |
| 1,70 | 42,8 | 25,2 | 20,2 | 16,1 | 12,8 | 11,4 | 10,3 | 9,20 | 8,18 | 7,67 | 7,08 | 6,53 | 4,91 | 4,20 | 3,02 | 2,41 | 2,05 | 1,72 | 1,49 | 1,33 | 1,21 | 1,13 | 0,97 | 0,60 |
| 1,65 | 44,9 | 26,3 | 20,9 | 16,6 | 13,4 | 11,8 | 10,6 | 9,50 | 8,41 | 7,82 | 7,30 | 6,72 | 5,09 | 4,24 | 3,05 | 2,44 | 2,06 | 1,73 | 1,50 | 1,34 | 1,22 | 1,13 | 0,97 | 0,60 |
| 1,60 | 45,8 | 27,1 | 21,5 | 17,0 | 13,7 | 12,0 | 10,6 | 9,60 | 8,58 | 7,92 | 7,34 | 6,78 | 5,10 | 4,26 | 3,06 | 2,45 | 2,08 | 1,74 | 1,52 | 1,34 | 1,22 | 1,13 | 0,97 | 0,61 |

Constant Power Discharge - Watts per Block at 25°C

| V/Cell | 5m | 10m | 15m | 20m | 25m | 30m | 35m | 40m | 45m | 50m | 55m | 60m | 90m | 2h | 3h | 4h | 5h | 6h | 7h | 8h | 9h | 10h | 12h | 20h |
|--------|-----|-----|-----|-----|-----|-----|-----|------|------|------|------|------|------|------|------|------|------|------|------|------|------|------|------|------|
| 1,80 | 402 | 241 | 197 | 157 | 125 | 116 | 103 | 93,1 | 83,3 | 79,2 | 74,0 | 68,6 | 51,6 | 45,1 | 33,2 | 26,8 | 22,9 | 19,4 | 17,0 | 15,1 | 13,8 | 13,0 | 11,3 | 7,08 |
| 1,75 | 430 | 254 | 209 | 167 | 132 | 120 | 106 | 96,4 | 86,3 | 82,0 | 75,6 | 70,4 | 53,3 | 46,2 | 34,1 | 27,5 | 23,6 | 19,8 | 17,3 | 15,5 | 14,2 | 13,1 | 11,5 | 7,14 |
| 1,70 | 446 | 265 | 215 | 173 | 138 | 122 | 111 | 98,8 | 88,6 | 83,4 | 77,4 | 71,8 | 54,2 | 46,7 | 34,3 | 27,6 | 23,6 | 19,9 | 17,4 | 15,6 | 14,3 | 13,2 | 11,5 | 7,16 |
| 1,65 | 467 | 276 | 222 | 178 | 143 | 126 | 113 | 103 | 90,7 | 84,8 | 79,6 | 73,7 | 56,2 | 46,9 | 34,4 | 27,8 | 23,8 | 19,9 | 17,4 | 15,7 | 14,4 | 13,3 | 11,5 | 7,20 |
| 1,60 | 475 | 283 | 228 | 181 | 146 | 128 | 114 | 103 | 92,3 | 85,7 | 79,9 | 74,2 | 56,2 | 47,2 | 34,6 | 27,8 | 23,9 | 20,0 | 17,6 | 15,7 | 14,4 | 13,3 | 11,5 | 7,30 |

Revision: 201509-1

Your Wing Dealer :

